



Perfect beams
for high-class
ambience

The Pointer series

ILLUXTRON®
LIGHTING



THE NEW SIGNATURE IN ARCHITECTURAL LIGHTING

Let's say you walk into a room that is perfectly lit, but you don't see any light points. That is the new signature in architectural lighting, and it starts with the Illuxtron Pointer Series. 3 new downlights that have unique lenses with zero glare. The light emitting surface is only 8mm in diameter, but still produces between 350 and 650 lumens. This allows for a nearly invisible light experience that gives architects and lighting designers a possibility to present a room like they have never been able to before. All the attention goes to the room, not to the glare.

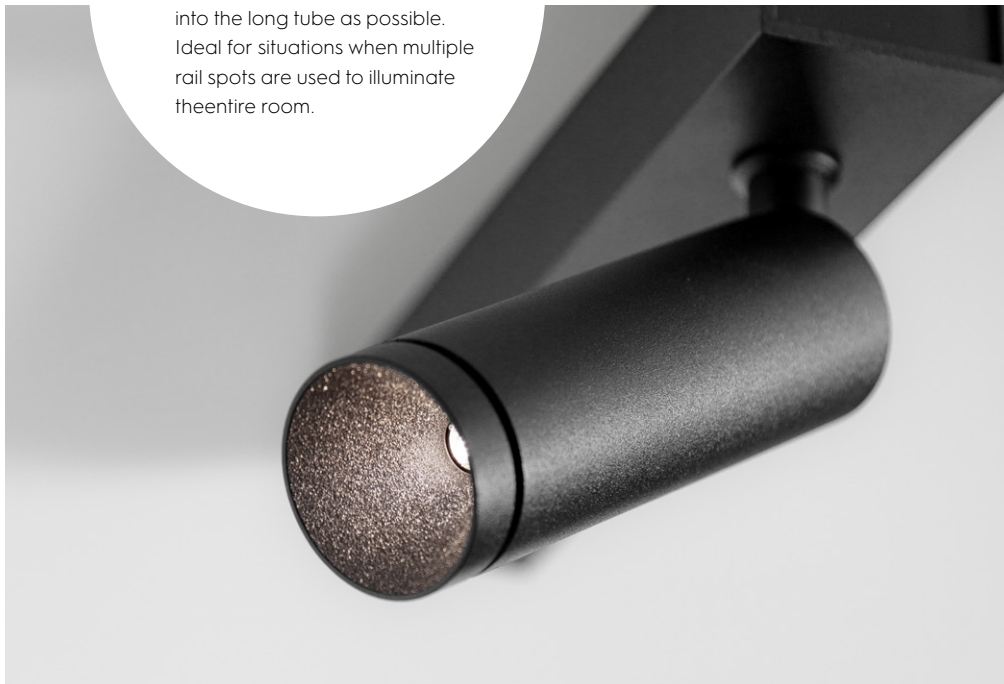


The integrated driver makes sure that the track can be connected directly to the mains

**REDUCED
GLARE (<UGR10)**

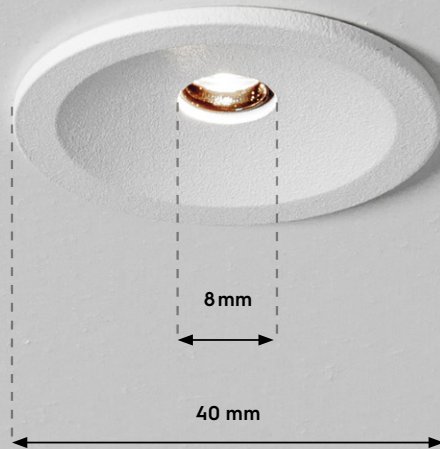
To reduce glare, the Pointer Spot's small light hole is recessed as far into the long tube as possible. Ideal for situations when multiple rail spots are used to illuminate the entire room.

REDUCE GLARE



Extreme flat drivers are integrated in the base of the luminaire

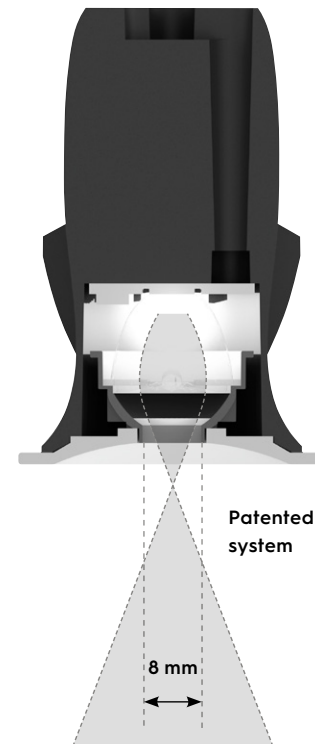
A patented system where all of the light comes through a hole of only 8mm



ZERO GLARE LENS

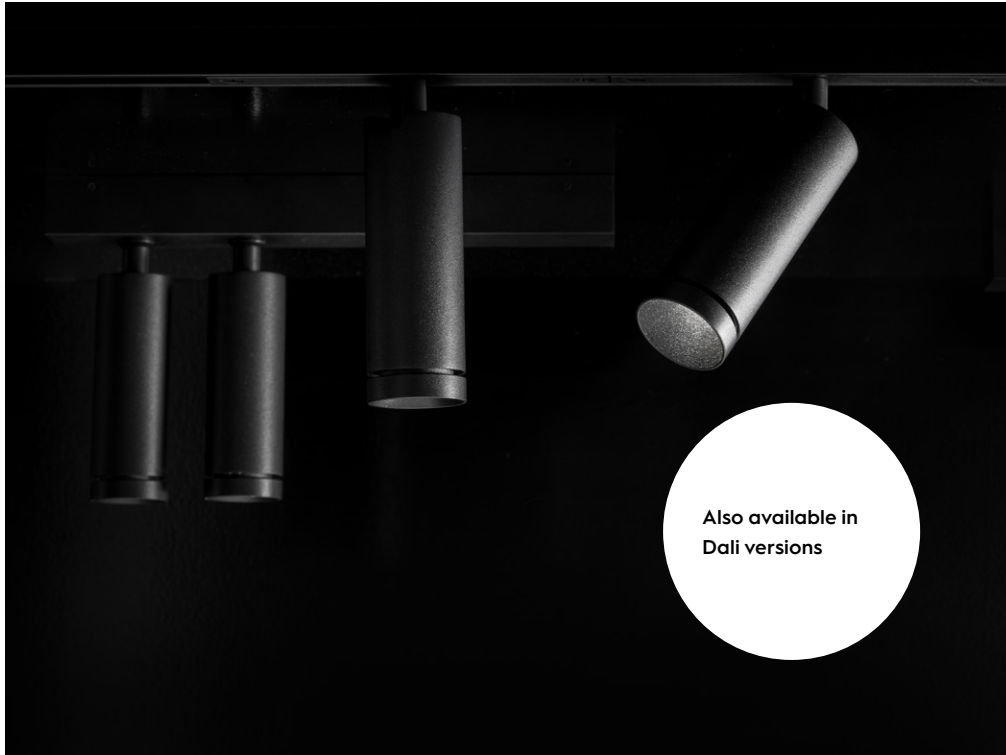
The Pointer series is all about a revolutionary new lens that collimates the beam angle. This means that the beam will be reflected into an hourglass shape. The neck of the hourglass beam angle falls precisely through the opening of the downlight. The beam angle is here at its narrowest and therefore the light emitting surface of the Pointer downlights are only 8mm in diameter.

The lens also gives the possibility for an internal anti-glare ring. This makes for a cleaner design and ultra low UGR values. There is virtually no glare from Pointer downlights, and this gives an almost invisible light experience. The room is perfectly illuminated, but you can't see the light points. This gives a clean and relaxed effect in rooms that are equipped with Pointer downlights.





ADJUSTABLE



Also available in
Dali versions



Highlighting
every element of
your design with
precision

Triac & Dali
Power Supply

35°/60°
2700/3000/4000K

POINTER SERIES

POINTER



Pointer 40
LV 350-450 Lm



Pointer 68
LV 500-650 Lm



Pointer 68 adj
LV 350-450 Lm

POINTER SPOT



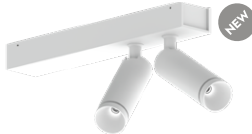
Pointer Spot 75
LV 500-650 Lm

NEW



Pointer Spot SM 1L
LV 500-650 Lm

NEW



Pointer Spot SM 2L
LV 500-650 Lm

NEW



Pointer Spot Track 3F
LV 500-650 Lm

NEW



Pointer Spot Track 48V
LV 500-650 Lm

NEW



PRODUCT OVERVIEW

ILLUXTRON®
LIGHTING

All products are developed by our own people and then assembled in various workshops by people with a disadvantage on the labor market. The range is aimed at the higher market segment and guarantees the use of high quality materials, resulting in a warranty of 7 years. 7 years warranty can be guaranteed.

MADE IN HOLLAND

7 YEAR WARRANTY

Check out our website for
more information and inspiration.
Scan the QR code or go to
illuxtron.com!



Illuxtron International BV
Mercuriusweg 19
4382 NC Vlissingen
The Netherlands

+31 (0)85 773 63 60
info@illuxtron.com
www.illuxtron.com

ILLUXTRON®
LIGHTING